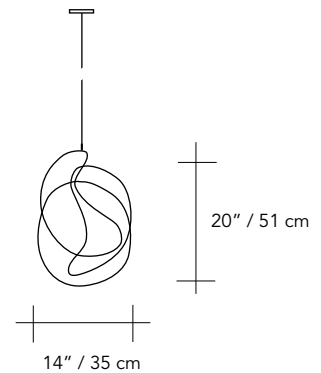


**SOL 300**  
PENDANT



SOL is a pendant light made of three intertwined diffuse acrylic petals. The round edges lend this geometric shape an organic quality evocative of a peeled orange or an open pod. The fixture changes its appearance as one moves around it and comes alive when lit. The asymmetry of SOL and its curvilinear form make a strong impact in any room. The light source is diffuse without glare.

**DESIGN TIP**

SOL is suitable in an entry hallway or over a dining table. It functions equally well in a commercial or restaurant space where several fixtures may be placed in a row, facing different directions.

**TECHNICAL DATA**

TYPE	Pendant lamp
APPLICATION	Hospitality, Commercial, Residential, Condo
LIGHT EMISSION	Diffuse
MATERIALS	Steel, acrylic
COLOUR	White
SAME FAMILY	n/a
ASSEMBLY	None
SUPPORT	6 ft. / 183 cm cord adjustable
LIGHT SOURCE	MAX 100 W white incandescent (not included)
BALLAST	n/a
DIMENSIONS	14 x 14 x 20 in. (35 x 35 x 51 cm)
RECYCLABLE	Yes (all materials except the lamp)
OPTIONS	Opal glass, available on request