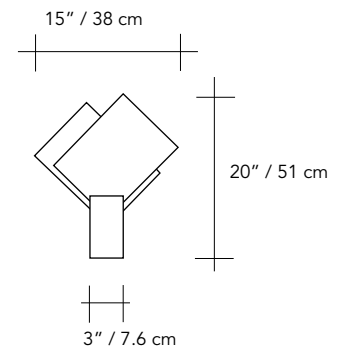


MULTI 500 SERIES
WALL SCONCE



MULTI makes custom design easy. Choose among over a dozen models of diffuser configurations to add variety and movement to corridor spaces. Made of a brushed aluminum base and one or two white acrylic diffusers, MUTLI can be used to show a relationship between fixture shapes (fan, overlapped rectangles, rotated figures etc.) or as a play on cubic patterns. Diffuser sheets may be straight or curved. Reverse-hand models available on special order. MULTI is a wall sconce system so versatile that you may want to order the whole series.

DESIGN TIP

Use in multiples in corridors as wayfinding and to give an identity to similar entrances.

TECHNICAL DATA

TYPE	Wall sconce
APPLICATION	Hospitality, Commercial, Residential, Condo
LIGHT EMISSION	Diffuse
MATERIALS	Aluminum - brushed, acrylic
COLOUR	White
SAME FAMILY	n/a
ASSEMBLY	None
LIGHT SOURCE	1 or 2 x 13w PL-S fluorescent lamps (not included)
BALLAST	Magnetic
DIMENSIONS	approx. 15 x 4 x 20 in. (38 x 10.2 x 51 cm)
ADA COMPLIANT	Yes
RECYCLABLE	Yes (all materials except the lamp)
OPTIONS	Electronic ballast; 12+ shade diffuser models available. Can be used for signage.